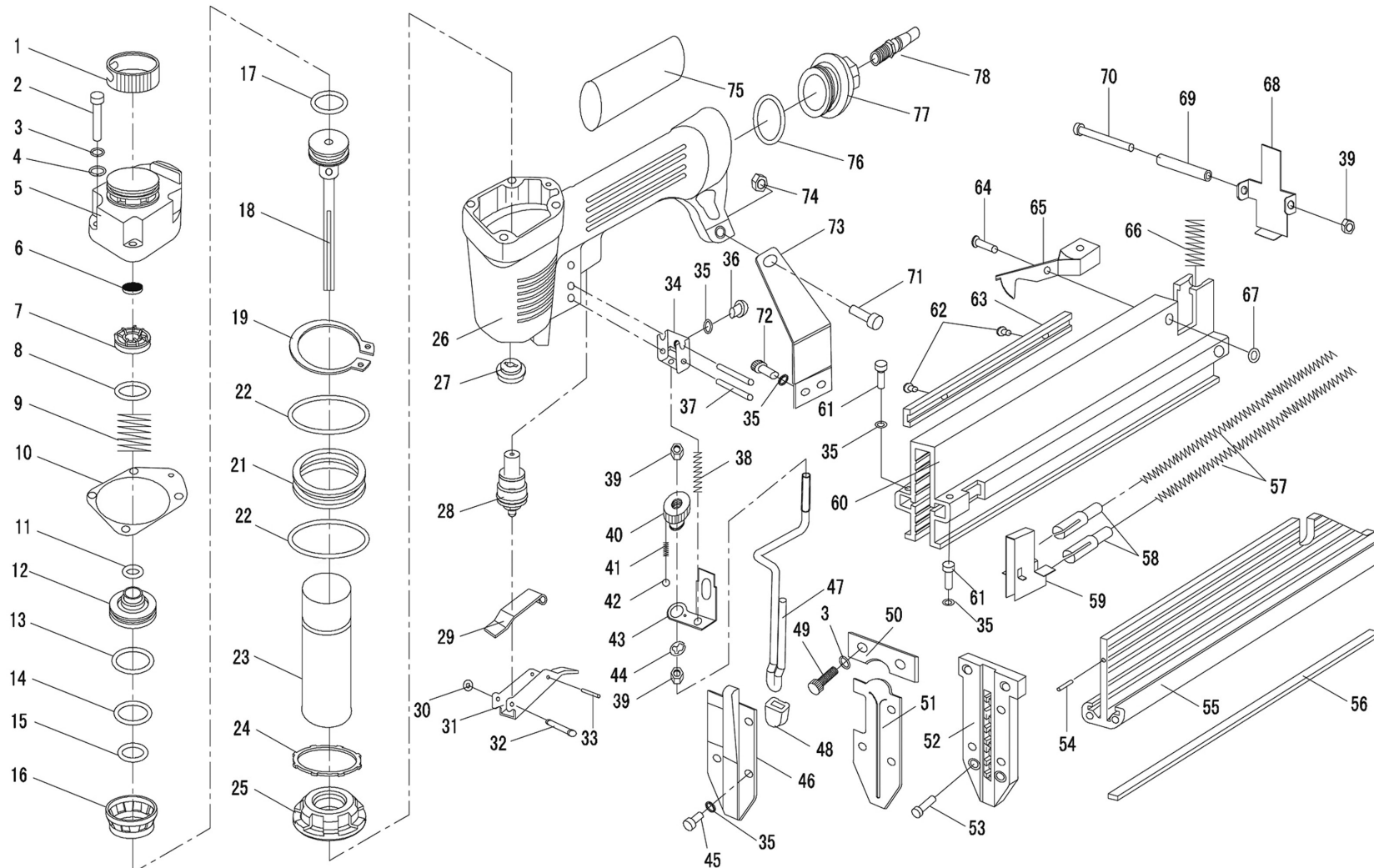




Parts Information:
Air Nail/Staple Gun 10-50mm/10-40mm Capacity
Model No: SA792.V3



NOTE: It is our policy to continually improve products and as such we reserve the right to alter data, specifications and component parts without prior notice.

There may be alternative versions of this product, please contact us should you require this information.

IMPORTANT: No liability is accepted for incorrect use of product. Spare parts must be fitted by a competent person

WARRANTY: Guarantee is 12 months from purchase date, proof of which will be required for any claim.

Sealey Group, Kempson Way, Suffolk Business Park, Bury St Edmunds, Suffolk. IP32 7AR



01284 757500



01284 703534



sales@sealey.co.uk



www.sealey.co.uk



Parts Information:
Air Nail/Staple Gun 10-50mm/10-40mm
Capacity
Model No: SA792.V3

Item	Part No.	Description
1	SA792.V3-01	Exhaust Cover
2	SA792.V3-02	Hex Bolt M5 x 25mm
3	SA792.V3-03	Spring Washer M5
4	SA792.V3-04	Flat Washer M5
5	SA792.V3-05	Air Cap
6	SA792.V3-06	Cap Seal
7	SA792.V3-07	Seal
8	SA792.V3-08	O-Ring
9	SA792.V3-09	Compressed Spring
10	SA792.V3-10	Cylinder Cap Gasket
11	WK025.V2-31	O-Ring
12	SA792.V3-12	Head Valve Piston
13	SA792.V3-13	O-Ring
14	SA51/13	O-Ring
15	AVR2500A.P22	O-Ring
16	SA792.V3-16	Collar
17	SA792.V3-17	O-Ring
18	SA792.V3-18	Piston Assembly
19	SA792.V3-19	Circlip
21	SA792.V3-21	Seal
22	SA792.V3-22	O-Ring
23	SA792.V3-23	Cylinder
24	SA792.V3-24	Gasket
25	SA792.V3-25	Bumper
26	SA792.V3-26	Body
27	SA792.V3-27	Bung
28	SA792.V3-28	Air Switch Valve Unit
29	SA792.V3-29	Trigger Lever
30	SA792.V3-30	O-Ring
31	SA792.V3-31	Trigger
32	SA792.V3-32	Trigger Pin
33	SA792.V3-33	Spring Pin
34	SA792.V3-34	Safety Guide
35	SA792.V3-35	Spring Washer M4
36	SA792.V3-36	Hex Bolt M4 x 6mm
37	SA314.V4-27	Spring Pin
38	SA792.V3-38	Spring
39	SN4.S	Steel Nut M4
40	SA792.V3-40	Knob

Item	Part No.	Description
41	SA792.V3-41	Spring
42	SA792.V3-42	Steel Ball
43	SA792.V3-43	Lever
44	SA792.V3-44	E Clip
45	SA792.V3-45	Hex Bolt M4 x 8mm
46	SA792.V3-46	Safety Cover
47	SA792.V3-47	Safety
48	SA792.V3-48	Safety Tip
49	SA792.V3-49	Hex Bolt M5 x 22mm
50	SA792.V3-50	Lock Plate
51	SA792.V3-51	Driver Guide Cover
52	SA792.V3-52	Driver Guide
53	SA792.V3-53	Hex Bolt M4 x 14mm
54	SA792.V3-54	Pin
55	SA792.V3-55	Magazine
56	SA792.V3-56	Nail Guide
57	SA792.V3-57	Spring
58	SA792.V3-58	Pusher Holder
59	SA792.V3-59	Pusher
60	SA792.V3-60	Magazine
61	SA792.V3-61	Hex Bolt M4 x 14mm
62	SA792.V3-62	Hex Bolt M4 x 6mm
63	SA792.V3-63	Bung Support
64	SA792.V3-64	Pin
65	SA792.V3-65	Magazine Latch
66	SA792.V3-66	Spring, Conical
67	SA792.V3-67	O-Ring
68	SA792.V3-68	Tail Cover
69	SA792.V3-69	Sleeve
70	SCB437.SB	Socket Cap Bolt M4 x 37mm Black
71	SA792.V3-71	Hex Bolt M5 x 20mm
72	SA792.V3-72	Hex Bolt M4 x 8mm
73	SA792.V3-73	Tail Hanger
74	NLN5.S	Nyloc Nut M5 Zinc
75	SA792.V3-75	Hand Grip
76	SA792.V3-76	O-Ring
77	SA792.V3-77	End Cap
78	SA792.V3-78	Air Inlet

NOTE: It is our policy to continually improve products and as such we reserve the right to alter data, specifications and component parts without prior notice. There may be alternative versions of this product, please contact us should you require this information.

IMPORTANT: No liability is accepted for incorrect use of product. Spare parts must be fitted by a competent person

WARRANTY: Guarantee is 12 months from purchase date, proof of which will be required for any claim.

Sealey Group, Kempson Way, Suffolk Business Park, Bury St Edmunds, Suffolk. IP32 7AR



01284 757500



01284 703534



sales@sealey.co.uk



www.sealey.co.uk